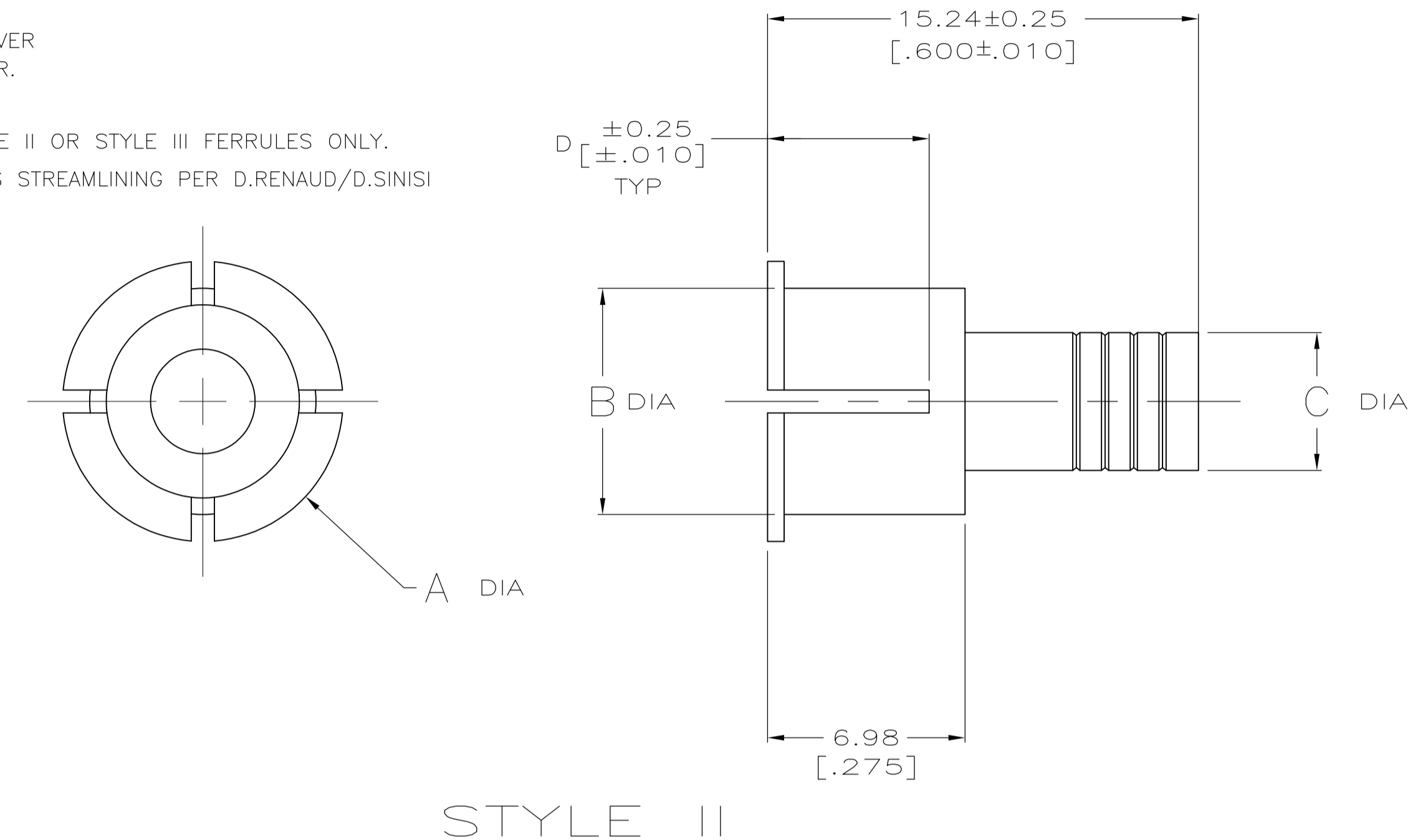
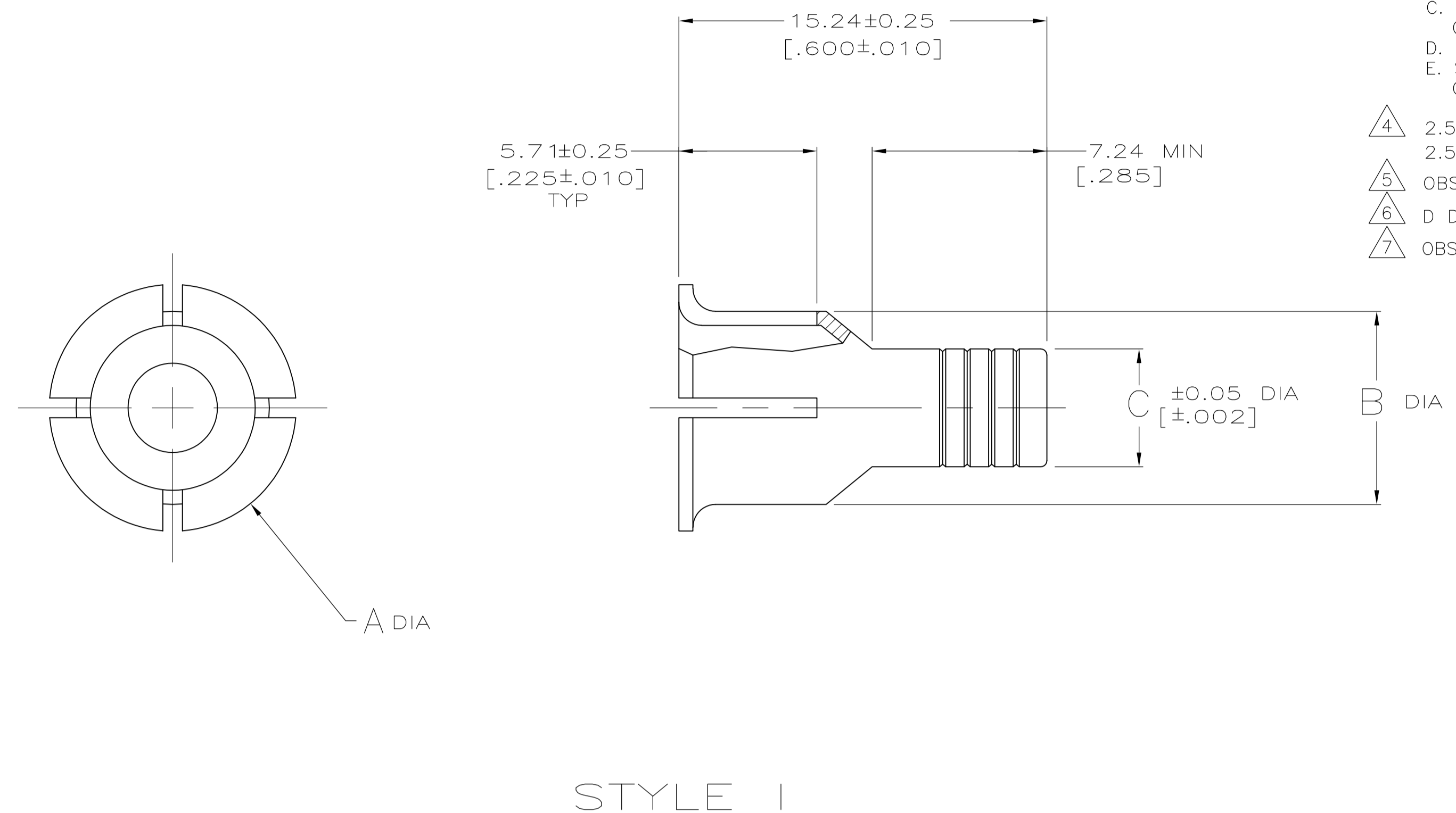
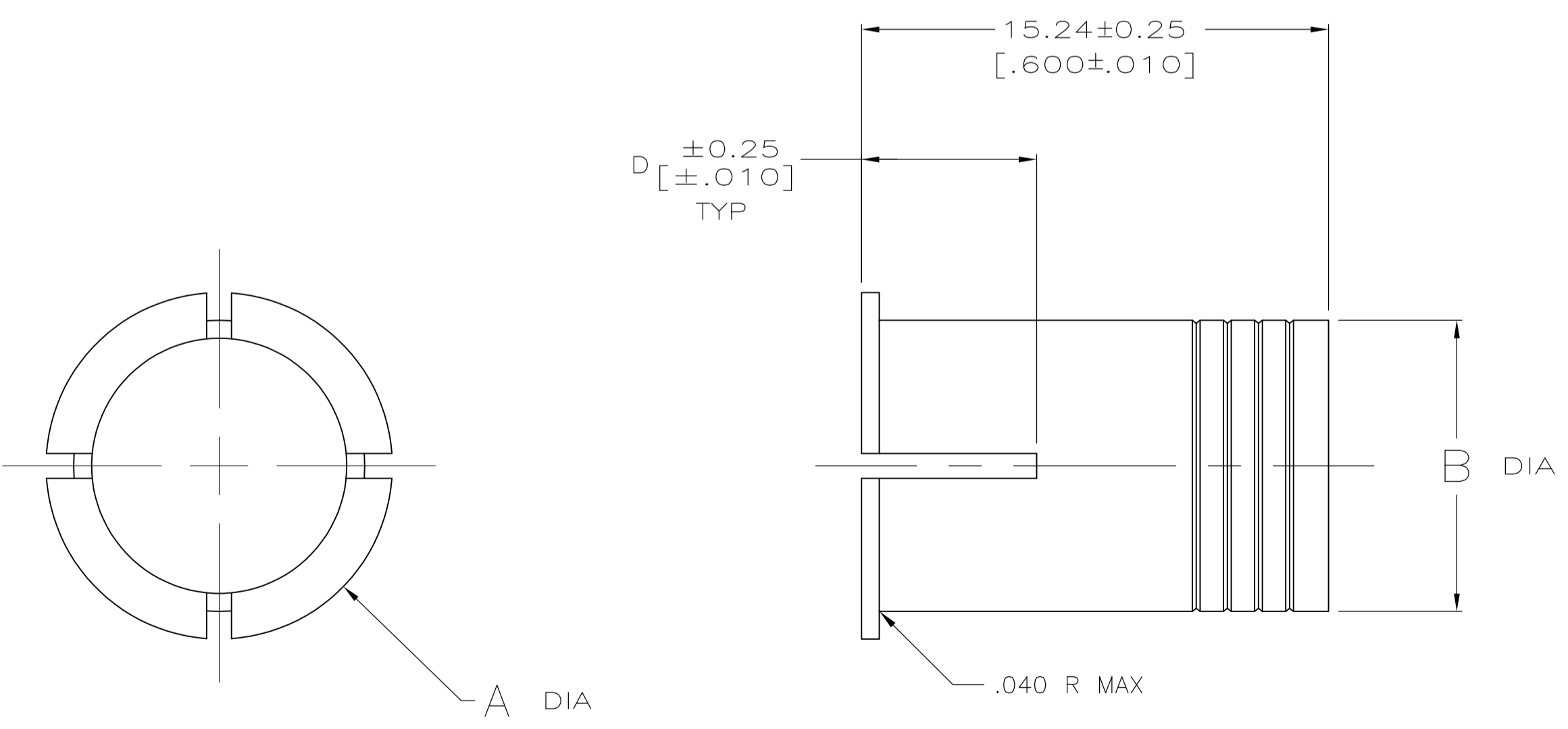


- △ BRASS, .023 THICK PER MIL-C-50 OR ASTM B16.
- △ 2.54 μm [.000100] MIN TIN OR TIN LEAD PER MIL-T-10727 OVER
- △ 2.54 μm [.000100] MIN COPPER PER MIL-C-14550A.
- 3. FERRULE SELECTION PROCEDURE:
 - A. SELECT THE DESIRED CABLE CLAMP FROM ANY OF THE FOLLOWING DRAWINGS: 5745171, 5745172, 5745173, 5745174, 5745175, 5745854, 5747099, 5745833, 5747100, 5747098, 5745919, 5745652, 5745653
 - B. VERIFY THAT THE CHOSEN CABLE CLAMP IS AVAILABLE.
 - C. SELECT AN INNER FERRULE PART NUMBER TO MATCH THE CABLE CLAMP SIZE AND CABLE DIAMETER TO BE USED.
 - D. USE THE OUTER FERRULE LISTED WITH THE CHOSEN INNER FERRULE.
 - E. SEE SPLIT RING FERRULES ON DRAWING 745508 FOR ADDITIONAL OPTIONS.



- △ 2.54 μm [.000100] MIN TIN, OVER
- △ 2.54 μm [.000100] MIN COPPER.
- △ OBSOLETE
- △ D DIMENSION APPLIES TO STYLE II OR STYLE III FERRULES ONLY.
- △ OBSOLETE PARTS: OBSOLETE CIS STREAMLINING PER D.RENAUD/D.SINISI



| 4-745130-5 | △ 4 | 1, 2, 5 | .230-.280 | I OR II | 5.72 (0.225) | 5.72 (0.225) | 8.00 (0.315) | 10.16 (0.400) | 7-745129-9 |
|-------------------|--------|-------------------------|-----------------|---------|--------------|---------------|---------------|---------------|----------------|
| 4-745130-5 | | 2, 3, 4 | .230-.280 | I OR II | 4.70 (0.185) | 5.72 (0.225) | 9.50 (0.374) | 11.56 (0.455) | 7-745129-8 |
| 4-745130-3 | | 5 | .600-.650 | I OR II | 5.72 (0.225) | 15.11 (0.595) | 17.65 (0.695) | 19.94 (0.785) | △ 5 7-745129-7 |
| 4-745130-2 | | 4 | .480-.530 | I OR II | 5.72 (0.225) | 11.94 (0.470) | 15.11 (0.595) | 17.40 (0.685) | 7-745129-6 |
| 4-745130-1 | | 3, 5 | .380-.430 | I OR II | 5.72 (0.225) | 9.50 (0.374) | 11.94 (0.470) | 14.22 (0.560) | 7-745129-5 |
| 4-745130-2 | | 3, 5 | .480-.530 | III | 5.72 (0.225) | --- | 11.94 (0.470) | 14.22 (0.560) | 7-745129-4 |
| 3-745130-8 | | 2, 3, 4 | .190-.240 | I OR II | 5.72 (0.225) | 4.88 (0.192) | 9.50 (0.374) | 11.56 (0.455) | 7-745129-3 |
| 3-745130-9 | | 2, 3, 4 | .300-.350 | I OR II | 5.72 (0.225) | 7.47 (0.294) | 9.50 (0.374) | 11.56 (0.455) | 7-745129-2 |
| 4-745130-1 | | 2, 3, 4 | .380-.430 | III | 5.72 (0.225) | --- | 9.50 (0.374) | 11.56 (0.455) | 7-745129-1 |
| 3-745130-8 | | 1, 2, 5 | .190-.240 | I OR II | 5.72 (0.225) | 4.88 (0.192) | 8.00 (0.315) | 10.16 (0.400) | 7-745129-0 |
| 4-745130-0 | △ 4 | 1, 2, 5 | .320-.370 | III | 5.72 (0.225) | --- | 8.00 (0.315) | 10.16 (0.400) | 6-745129-9 |
| 1-745130-6 | △ 2 | 1, 2, 5 | .230-.280 | I OR II | 5.72 (0.225) | 5.72 (0.225) | 8.00 (0.315) | 10.16 (0.400) | △ 5 3-745129-4 |
| 1-745130-6 | | 2, 3, 4 | .230-.280 | I OR II | 5.72 (0.225) | 5.72 (0.225) | 9.50 (0.374) | 11.56 (0.455) | △ 5 3-745129-2 |
| 1-745130-2 | | 5 | .480-.530 | I OR II | 5.72 (0.225) | 11.94 (0.470) | 17.65 (0.695) | 19.94 (0.785) | △ 5 3-745129-0 |
| 1-745130-3 | | 5 | .600-.650 | I OR II | 5.72 (0.225) | 15.11 (0.595) | 17.65 (0.695) | 19.94 (0.785) | 2-745129-9 |
| 1-745130-4 | | 5 | .700-.750 | III | 5.72 (0.225) | --- | 17.65 (0.695) | 19.94 (0.785) | △ 5 2-745129-8 |
| 1-745130-1 | | 4 | .380-.430 | I OR II | 5.72 (0.225) | 9.50 (0.374) | 15.11 (0.595) | 17.40 (0.685) | △ 5 2-745129-7 |
| 1-745130-2 | | 4 | .480-.530 | I OR II | 5.72 (0.225) | 11.94 (0.470) | 15.11 (0.595) | 17.40 (0.685) | △ 5 2-745129-6 |
| 1-745130-3 | | 4 | .600-.650 | III | 5.72 (0.225) | --- | 15.11 (0.595) | 17.40 (0.685) | △ 5 2-745129-5 |
| 745130-9 | | 3, 5 | .300-.350 | I OR II | 5.72 (0.225) | 7.47 (0.294) | 11.94 (0.470) | 14.22 (0.560) | △ 5 2-745129-4 |
| 1-745130-1 | | 3, 5 | .380-.430 | I OR II | 5.72 (0.225) | 9.50 (0.374) | 11.94 (0.470) | 14.22 (0.560) | △ 5 2-745129-3 |
| 1-745130-2 | | 3, 5 | .480-.530 | III | 5.72 (0.225) | --- | 11.94 (0.470) | 14.22 (0.560) | △ 5 2-745129-2 |
| 745130-8 | | 2, 3, 4 | .190-.240 | I OR II | 5.72 (0.225) | 4.88 (0.192) | 9.50 (0.374) | 11.56 (0.455) | △ 5 2-745129-1 |
| 745130-9 | | 2, 3, 4 | .300-.350 | I OR II | 5.72 (0.225) | 7.47 (0.294) | 9.50 (0.374) | 11.56 (0.455) | △ 5 2-745129-0 |
| 1-745130-1 | | 2, 3, 4 | .380-.430 | III | 5.72 (0.225) | --- | 9.50 (0.374) | 11.56 (0.455) | △ 5 1-745129-9 |
| 745130-8 | | 1, 2, 5 | .190-.240 | I OR II | 5.72 (0.225) | 4.88 (0.192) | 8.00 (0.315) | 10.16 (0.400) | △ 5 1-745129-8 |
| 1-745130-0 | | 1, 2, 5 | .320-.370 | III | 5.72 (0.225) | --- | 8.00 (0.315) | 10.16 (0.400) | △ 5 1-745129-7 |
| 745130-8 | △ 2 | 1 | .190-.240 | III | 5.72 (0.225) | --- | 4.88 (0.192) | 6.99 (0.275) | △ 5 1-745129-6 |
| OUTER FERRULE P/N | FINISH | FOR CABLE CLAMP SIZE(S) | CABLE DIA RANGE | STYLE | D | C | B | A | PART NUMBER |

THIS DRAWING IS A CONTROLLED DOCUMENT.

| | | | |
|-------------------------|--|-------------------------|----------------------------------|
| DIMENSIONS: mm [INCHES] | TOLERANCES UNLESS OTHERWISE SPECIFIED: | DIN D. BROCKWAY 20MAY04 | APPROVED |
| 0 PLC ± - | 1 PLC ± - | C. ROHDE 20MAY04 | NAME |
| 2 PLC ± ± 0.13 [.005] | 3 PLC ± ± - | M. WALMSLEY 20MAY04 | FERRULE, INNER, AMPLIMITE HDP-20 |
| 4 PLC ± ± - | ANGLES ± ± - | | PRODUCT SPEC |
| MATERIAL | FINISH | SIZE | APPLICATION SPEC |
| SEE TABLE | SEE TABLE | A1 | WEIGHT |
| | | 00779 | REVISIONS |
| | | 745129 | DATE |
| | | | 11MAR11 |
| | | | BY |
| | | | RK |
| | | | APPROVED |
| | | | HMR |

SCALE: 4:1 SHEET 1 OF 1 REV 1.2